

NOTICE TO NAVIGATION INTERESTS

DETROIT DISTRICT

DATE: 03/21/2023

NOTICE NUMBER: 202334

ATTN: CELRE-DE
477 MICHIGAN AVENUE
DETROIT MI 48226-2575
HTTP://WWW.LRE.USACE.ARMY.MIL/

POC: LeighAnn
Ryckeghem
(906) 635-3464

LOCAL NUMBER: L23-03
WATERWAY: ST. MARYS RIVER

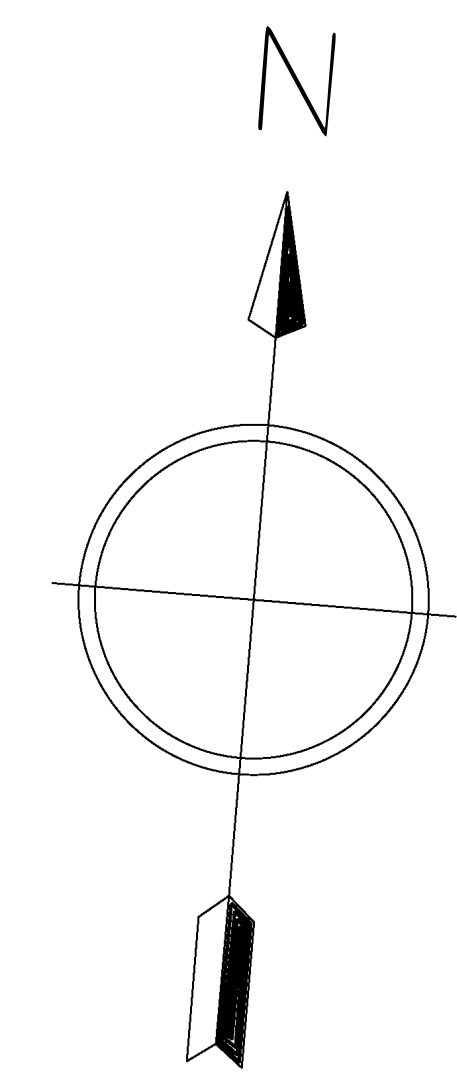
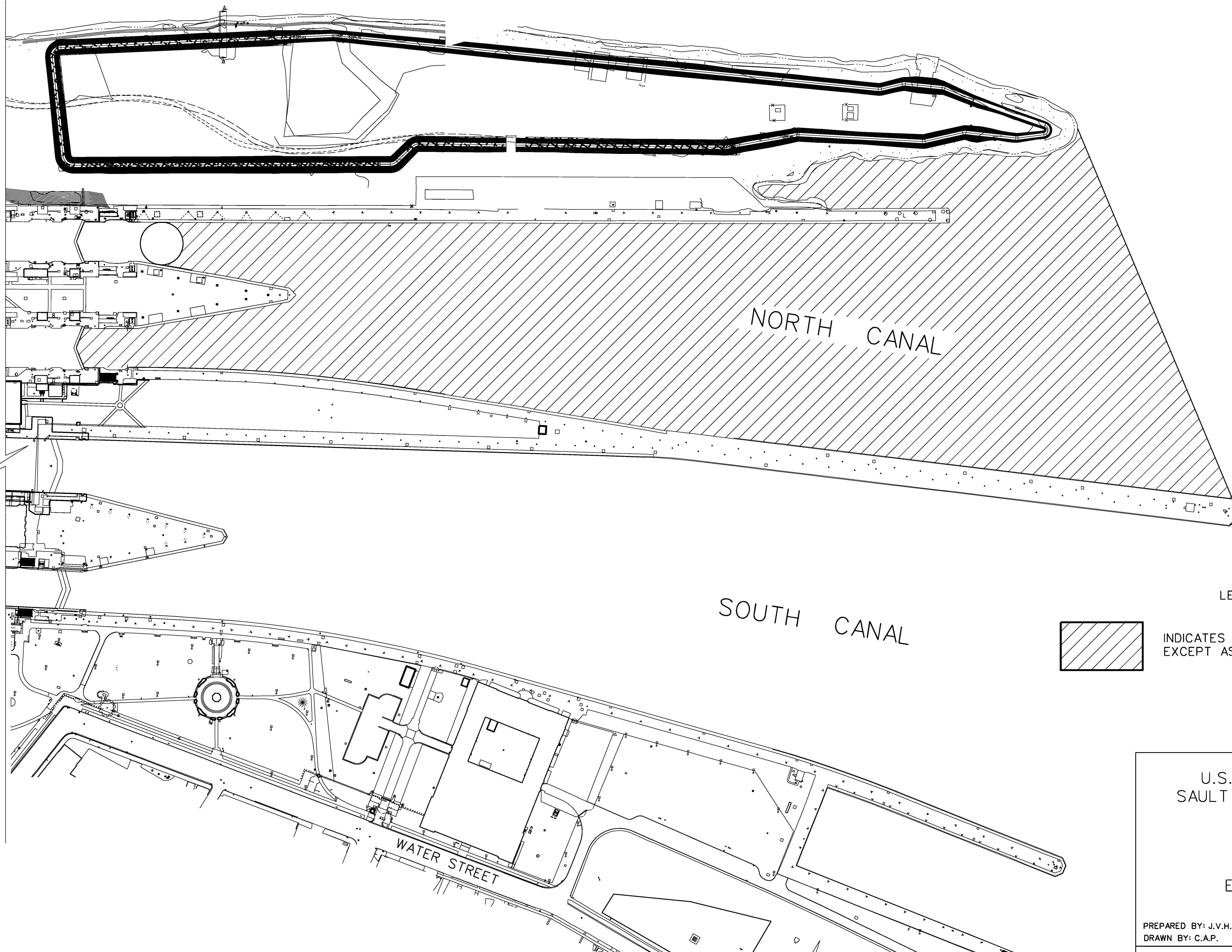
EFFECTIVE: 03/25/2023 00:01 thru
01/15/2024 23:59

OPERATIONAL STATUS – SOO LOCKS NORTH CANAL EAST APPROACH CLOSURE

1. Ongoing construction activities are occurring at the St. Marys Falls North Canal, necessitating closure of the East approach. This area is closed to all vessel traffic except at the specific direction of the Chief Lockmaster. This area is identified with hatching on the attached chartlet.
2. This closure will remain in effect through January 15, 2024.
3. Questions regarding this notice may be directed to the Soo Operations Manager, LeighAnn Ryckeghem at 906-635-3464. Our internet address is: <http://www.lre.usace.army.mil.Missions/Operations.aspx>

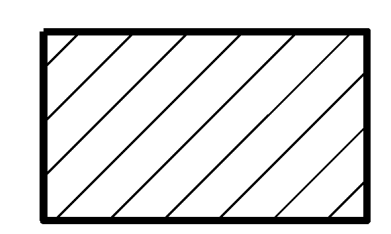
//signed//

CYNTHIA A. JAREMA
Chief, Operations & Maintenance Branch
USACE-Detroit



100' 50' 0 100'
SCALE: 1" = 100'-0"

LEGEND



INDICATES AREA CLOSED TO ALL VESSELS EXCEPT AS DIRECTED BY THE CHIEF LOCKMASTER.

U.S. ARMY CORPS OF ENGINEERS
SAULT SAINTE MARIE PROJECT OFFICE

SOO LOCKS
NORTH CANAL
EAST APPROACH CLOSURE

PREPARED BY: J.V.H.
DRAWN BY: C.A.P.

SCALE: 1" = 100'
DATE: 14 MARCH 2023

TO ACCOMPANY NOTICE: L23-03