

ALL SOUNDINGS ARE REFERENCED TO I.G.L.D. 1985 FOR LAKE MICHIGAN, ELEVATION 577.5 FT. ABOVE MEAN SEA LEVEL AT RIMOUSKI, QUEBEC.
HYDRAULIC CORRECTOR OF 0.3 APPLIED

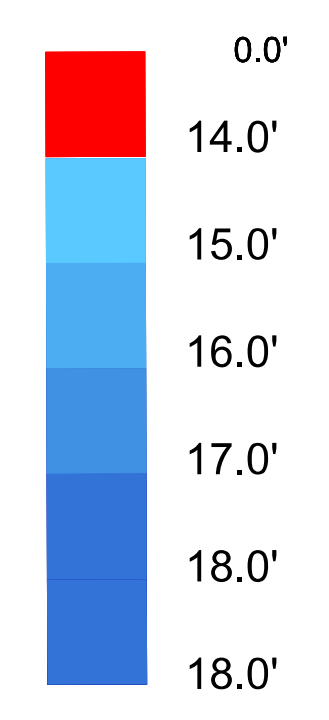
GRID SYSTEM BASED ON LAMBERT PROJECTION, MICHIGAN STATE PLANE COORDINATE SYSTEM, SOUTH ZONE (2113) 1983 NORTH AMERICAN DATUM, U.S. FOOT.

THE INFORMATION DEPICTED ON THIS MAP REPRESENTS THE RESULTS OF SURVEYS MADE ON THE DATES INDICATED AND CAN ONLY BE CONSIDERED AS INDICATING THE GENERAL CONDITIONS EXISTING AT THAT TIME.

VERTICAL WATER LEVEL READINGS WERE TAKEN FROM A FIXED GAUGE MARK ALONG THE SHEET STEEL WALL NEAR CROSS SECTION 9+00E IN SOUTH HAVEN HARBOR, MI.

SURVEYED ON: 14 JUNE 2018
POSITIONING METHOD: APPLANIX POS M/V W/DGPS CORRECTIONS
MOTION COMPENSATION: APPLANIX OCEAN MASTER POS M/V
EQUIPMENT: ODOM CV 300 SINGLE BEAM SONDER
SOFTWARE: HYPACK
VESSEL: LAUNCH 3058

14' Legend

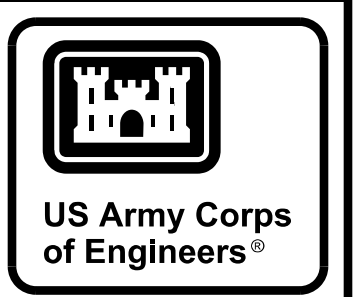
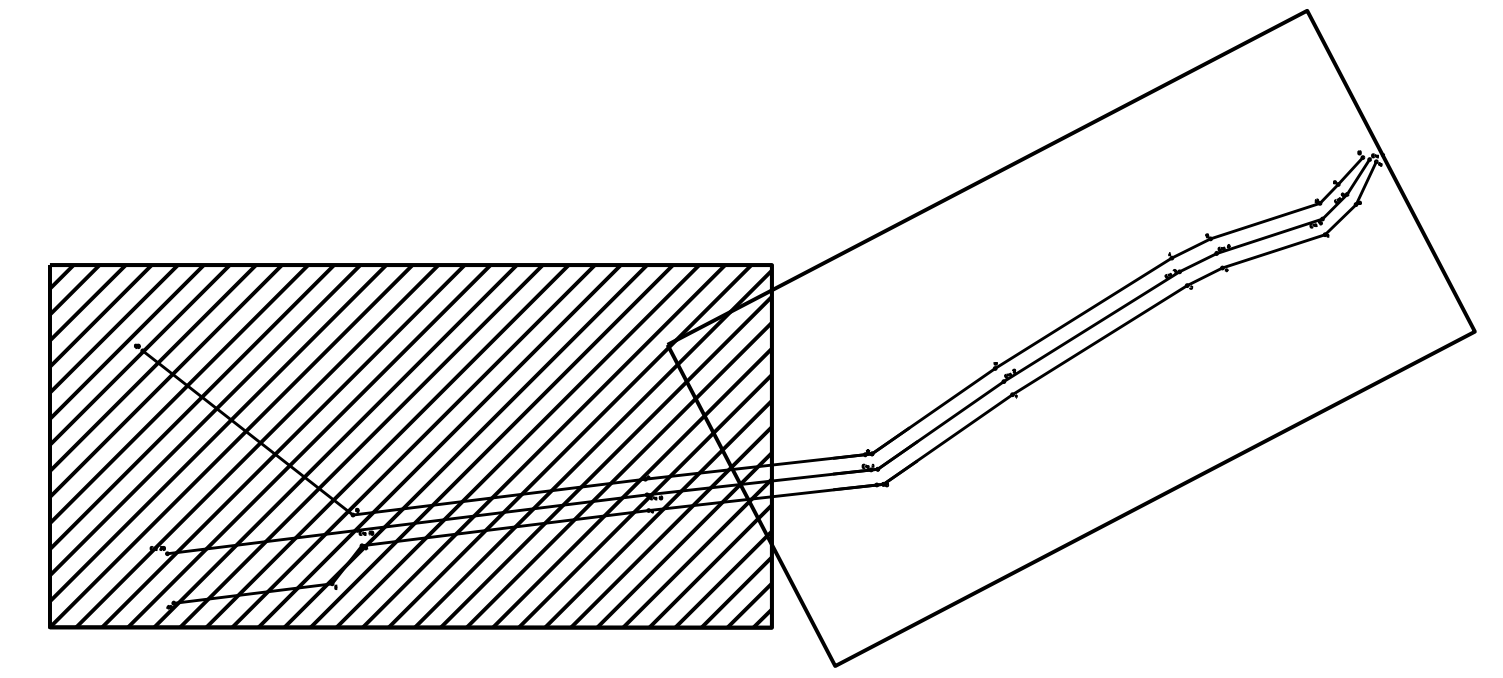
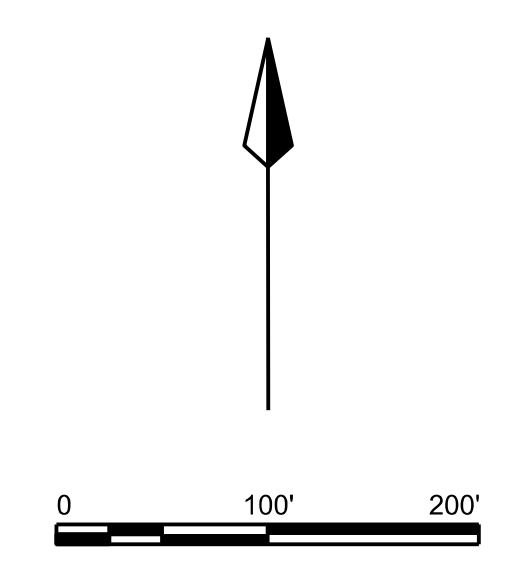


Authorized Project Depth 21'

Maintained Project Depth 14'

CHANNEL LINE T.P.		
CHTP	EAST X	NORTH Y
A	12,604,409.67	334,444.88
AA	12,603,629.89	334,206.61
B	12,604,372.24	334,571.26
BB	12,603,501.54	335,251.45
E	12,604,286.54	334,287.27
F	12,605,596.62	334,590.69
X	12,605,582.25	334,719.89

CENTER LINE T.P.		
CL TP	EAST X	NORTH Y
2B	12,603,604.36	334,411.44
1B	12,604,390.95	334,508.07
0	12,605,589.44	334,655.29



MARK	DESCRIPTION	DATE

ISSUE DATE: 15-JUNE-2018	SOLICITATION NO.:	CONTRACT NO.:	DRAWING NUMBER:
SURVEYED BY: E.D.S.	DRAWN BY: E.D.S.	APPROVED BY:	FILE NAME: ANSI.D
REVIEWED BY:	LAKE MICHIGAN AREA OFFICE 307 SOUTH HARBOR DR GRAND HAVEN, MI 49417	SIZE: south_haven_2018.dgn	

SOUTH HAVEN HARBOR
MICHIGAN
CONDITION OF CHANNEL
JUNE 2018

SHEET ID
VH101